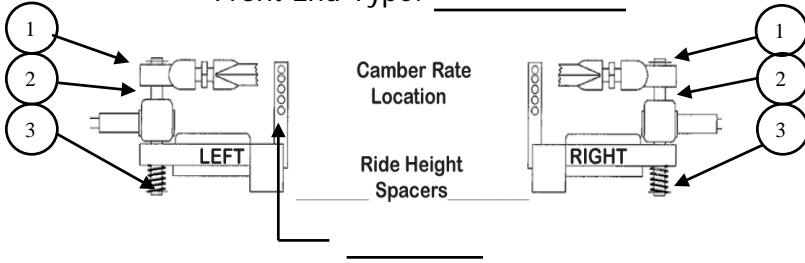


F-14 Afterburner

Driver:		
Date:		Race:
Track:		Runline:
Traction Level:		Carpet Type:

Front End Type: _____

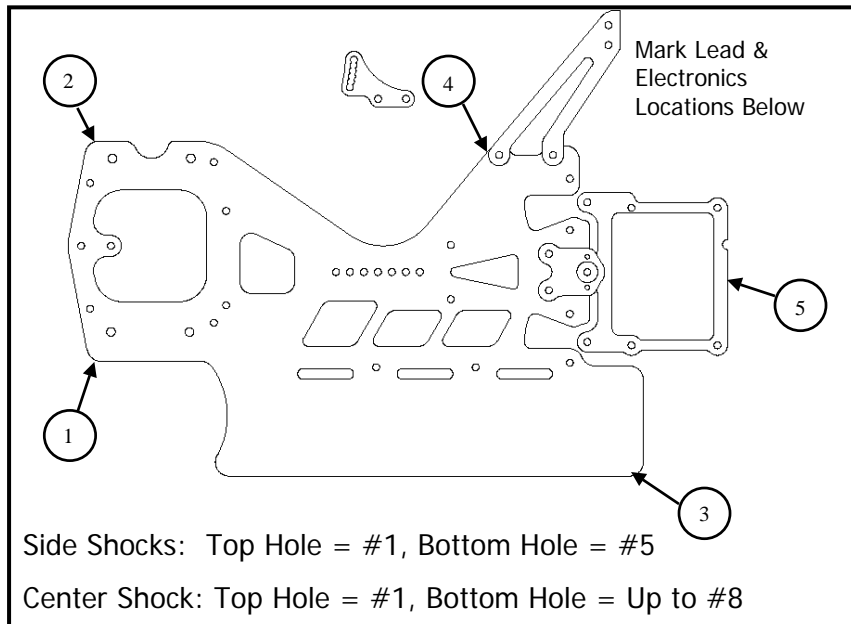


Left	FRONT END:	Right
Spring:		Spring:
Spring Sag:		Spring Sag:
Lube:		Lube:
Caster:		Caster:
Camber:		Camber:
Shims #1:		Shims #1:
Shims #2:		Shims #2:
Shims #3:		Shims #3:
Axle Shims:		Axle Shims:
Frt End Width:		
Toe:		
Servo:		
Servo Saver:		

RIDE HEIGHTS:

1:	3:	Rear of Pod:
2:	4:	5:

POD TYPE:	CEFX	HD
Link Type		
Rear Steer:		Shims (Pivot)
Ride Ht Adjusters:		
LR Width:		RR Width:
RR Hub Used:		



CENTER SHOCK:

Type:	
Oil:	Piston:
Spring:	Preload:
Shock Length:	
Front Hole #:	Rear Stud Ht:
Upper Pod Plate:	Long Short

BODY POSTS:

LF:	RF:
LR:	RR:

Left	SIDE SHOCKS:	Right
Type:		Type:
Oil:		Oil:
Spring:		Spring:
Inner Stud:		Inner Stud:
Outer Hole #:		Outer Hole #:
Preload:		Preload:

Body:	Motor:
Position:	
<small>Spoiler to LR Body Post</small>	Pinion/Spur:
Spoiler Ht:	Rollout:
Wing:	Speed Control:
Position: <small>Axle Center to Leading Edge of Side Dam</small>	ESC Settings:
Wing Height:	Battery:

CORNER WEIGHTS:

LF:	RF:
LR:	RR:

TIRES:

LF:	RF:
Additive:	Additive:
Amount:	Amount:
Size:	Size:
Camber:	Camber:
LR:	RR:
Additive:	Additive:
Amount:	Amount:
Size:	Size:

RADIO SETTINGS:

D/R:	St Speed:
Steering %:	Radio:

NOTES:
